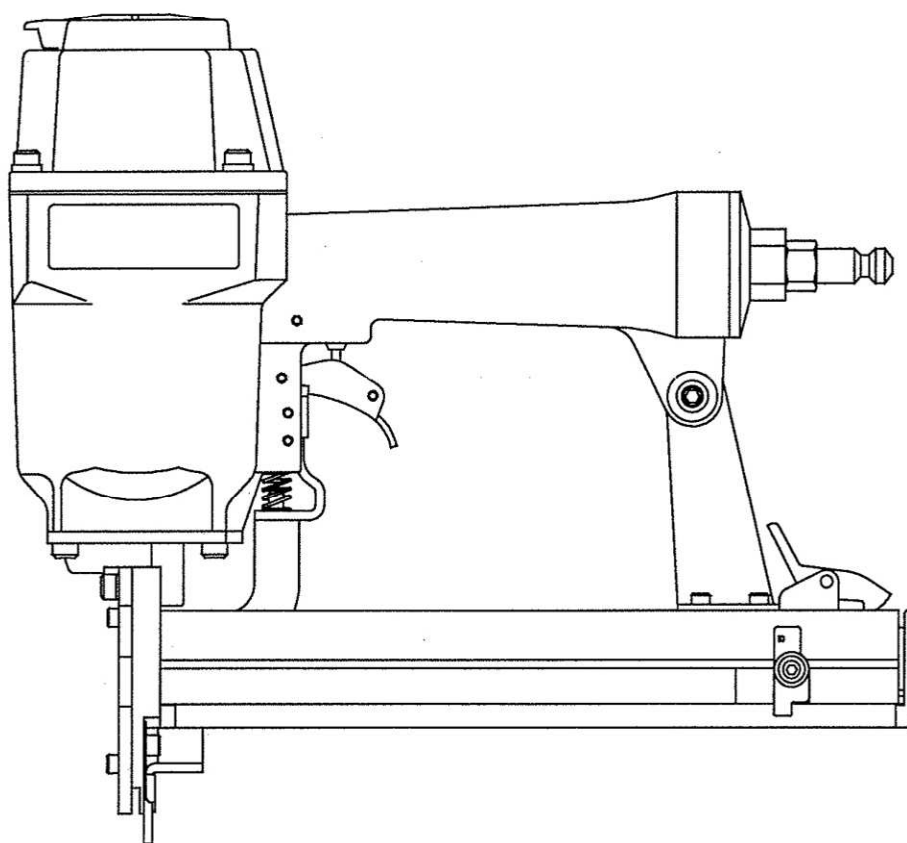


OPERATING INSTRUCTIONS AND PARTS MANUAL

MODEL CF15SNF

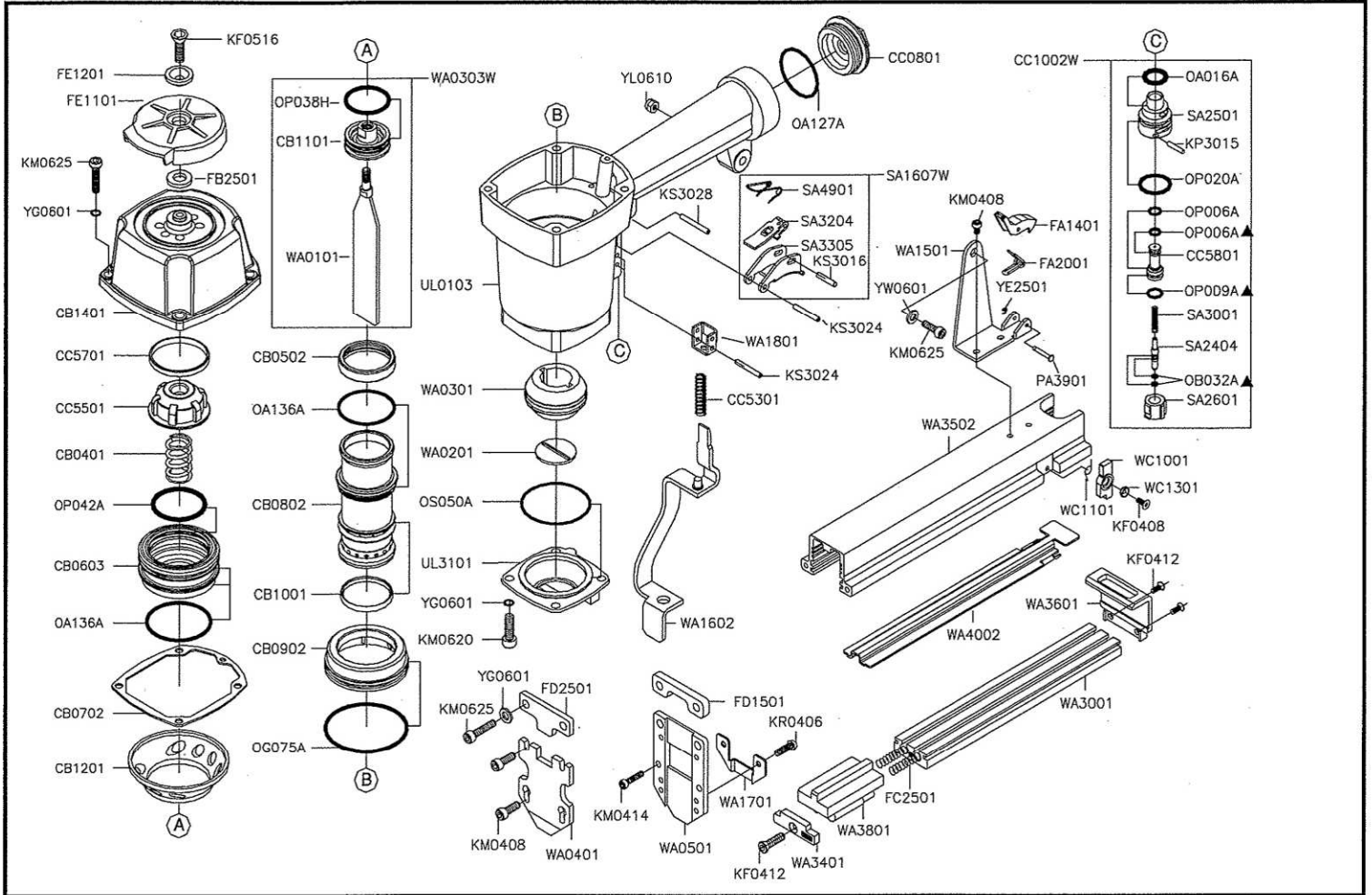
25.4mm CROWN CORRUGATED
FASTENING TOOL



SIFCO® *fastening solutions*

AUGUST 2012

CF15SNF



Part_No	Description	Spec	Q'ty	Part_No	Description	Spec	Q'ty	Part_No	Description	Spec	Q'ty
CB0401	COMPRESSION SPRING		1	KM0625	HEX.SOC.HD.BOLT	M6×1.0—25L	7	WA0301	BUMPER		1
CB0502	CYLINDER RING		1	KP3015	PARALLEL PIN	∅ 3×15L	2	WA0303W	DRIVER ASSY.		1
CB0603	HEAD VALVE PISTON		1	KR0406	BUTTON HD.BOLT	M4×0.7—6L	2	WA0401	COVER PLATE(B)		1
CB0702	CAP SEAL		1	KS3016	SPRING PIN	∅ 3-16L	1	WA0501	GUIDE PLATE		1
CB0802	CYLINDER		1	KS3024	SPRING PIN	∅ 3-24L	3	WA1501	SUPPORT		1
CB0902	CYLINDER RING		1	KS3028	SPRING PIN	∅ 3-28L	1	WA1602	SAFETY		1
CB1001	CHECK SEAL		1	OA016A	O-RING	ARP568-016	1	WA1701	SAFETY GUIDE		1
CB1101	MAIN PISTON		1	OA127A	O-RING	ARP568-127	1	WA1801	SAFETY GUIDE		1
CB1201	COLLAR		1	OA136A	O-RING	ARP568-136	3	WA3001	MAGAZINE SEAT		1
CB1401	CYLINDER CAP		1	OB032A	O-RING	2.5×1.4	2	WA3401	FRONT PLATE		1
CC0801	END CAP		1	OG075A	O-RING	G75	1	WA3502	MAGAZINE CAP		1
CC1002W	TRIGGER VALVE ASSY.		1	OP006A	O-RING	P6	2	WA3601	STOP PLATE		1
CC5301	COMPRESSION SPRING		1	OP009A	O-RING	P9	1	WA3801	PUSHER		1
CC5501	PISTON STOP		1	OP020A	O-RING	P20	1	WA4002	ADJUSTMENT RAIL		1
CC5701	SPACER		1	OP038H	O-RING	37.7×3.5	1	WC1001	PUSHER STOP		1
CC5801	PILOT VALVE		1	OP042A	O-RING	P42	1	WC1101	SPRING		1
FA1401	LATCH		1	OS050A	O-RING	S-50	1	WC1301	SCREW SEAT		1
FA2001	SPRING		1	PA3901	PIN		1	YE2501	E-RING	∅ 2.5	1
FB2501	PISTON STOP		1	SA1607W	TRIGGER ASSY.		1	YG0601	SPRING WASHER	∅ 6	10
FC2501	PUSHER SPRING		2	SA2404	TRIGGER VALVE STEM		1	YL0610	LOCK NUT	M6×1.0	1
FD1501	SPACER		1	SA2501	TRIGGER VALVE SEAT		1	YW0601	FLAT WASHER	∅ 6	1
FD2501	COVER PLATE(A)		1	SA2601	TRIGGER VALVE SEAT		1				
FE1101	EXHAUST CAP		1	SA3001	COMPRESSION SPRING		1				
FE1201	EXHAUST CAP RING		1	SA3204	CONTACT LEVER		1				
KF0408	FLAT HD.BOLT	M4×0.7—8L	1	SA3305	TRIGGER		1				
KF0412	FLAT HD.BOLT	M4×0.7—12L	3	SA4901	SPRING		1				
KF0516	FLAT HD.BOLT	M5×0.8—16L	1	UL0103	BODY		1				
KM0408	HEX.SOC.HD.BOLT	M4×0.7—8L	6	UL3101	SIDE PLATE(L.H.)		1				
KM0414	HEX.SOC.HD.BOLT	M4×0.7—14L	2	WA0101	DRIVER		1				
KM0620	HEX.SOC.HD.BOLT	M6×1.0—20L	4	WA0201	NOZZLE		1				

For better performance, replace the Trigger Valve and Trigger with
 1x CN80273 ST Trigger Valve Kit
 1x CN31661 Valve cage
 1x 86459 O Ring